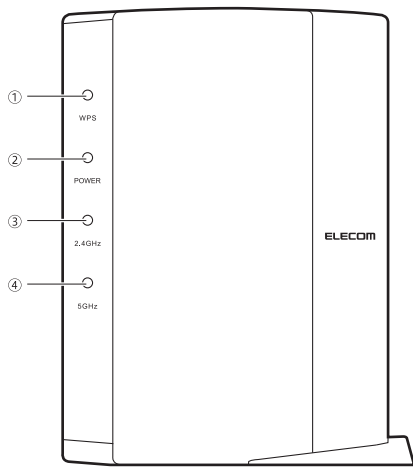


Setup Guide

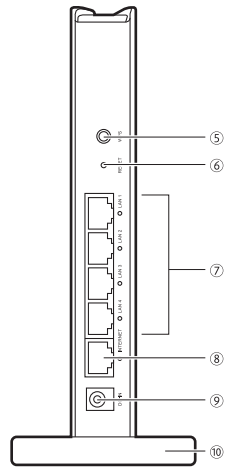
This manual provides a summary of and the specifications for this product as well as explains this product's usage precautions. It also contains an FAQ that explains actions you can take if you have problems such as the product malfunctioning. Note that this manual is common for the WRC-1167GHBK3-A • WRC-F1167ACF2 • WRC-1167FEBK-A • WRC-733FEBK2-A.

Name and function of each part

Left side



Back

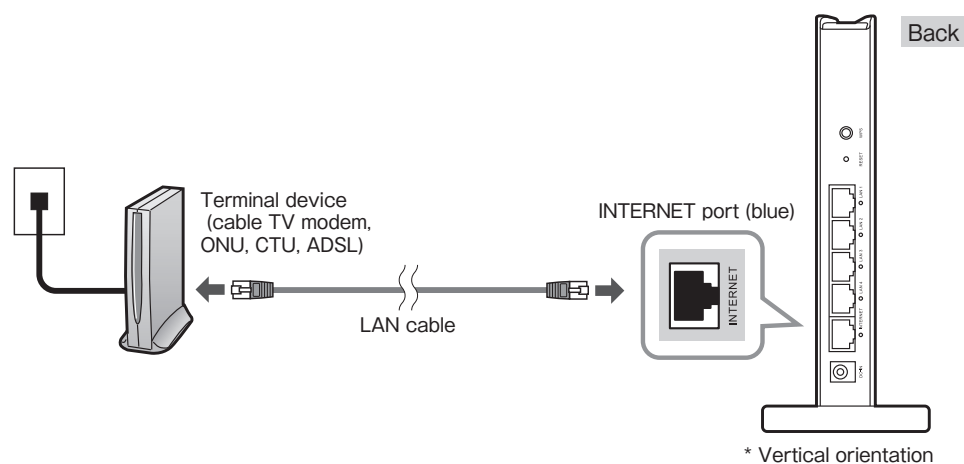


①	WPS lamp (red)	Blinking: The WPS setting button has been pressed, and the WPS function is running. This lamp blinks once every 0.5 second for approximately 2 minutes. Off: The WPS function is not running.
②	POWER lamp (white)	Lit: The product is on. Off: The product is off.
③	2.4G WLAN lamp (white)	These lamps indicate the connection status of the 2.4 GHz band (11n/g/b) and the 5 GHz band (11ac/n/a). Lit: The corresponding band can be used. Blinking: The corresponding band is in use. Off: The corresponding band is disabled.
④	5G WLAN lamp (white)	
⑤	WPS setting button	Use this button when you are connecting the product to a wireless slave device (such as a wireless adapter) that is equipped with a WPS function. To use this function, press this button for 2 seconds or more.
⑥	Reset button	When you press this button for approximately 5 seconds, the WPS lamp blinks and the product's settings are initialized (returned to the factory default values). Do not turn off the product until the lamp stops blinking.
⑦	LAN port/ LAN lamp 1-4 (white)	Use these ports to connect this product to PCs or other network devices over a wired LAN. There is an LED lamp next to each port. Lit: The link to the PC or network device connected over a wired LAN has been established. Blinking: Data is being transferred. Off: The cable is disconnected.
⑧	INTERNET port/ INTERNET lamp (white)	Connect the cable from the WAN (Internet) device of the modem (ONU, CTU, and other types). There is an LED lamp next to the port. Lit: The link to the WAN device has been established. Blinking: Data is being transferred. Off: The cable is disconnected.
⑨	DC IN (power supply jack)	Connect the AC adapter included with this product to this jack. Do not connect any AC adapters other than the one included with this product.
⑩	Stand	You can use the stand included with this product to orient it vertically or horizontally. For details on how to use the stand, see "Installation method and precautions" below.

Using this product in router mode

1 Connect the devices.

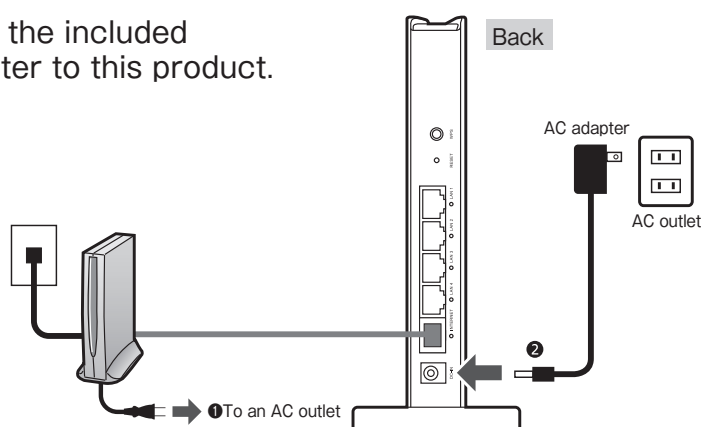
Refer to the diagram and wire the devices.



2 Turn on the terminal device and this product.

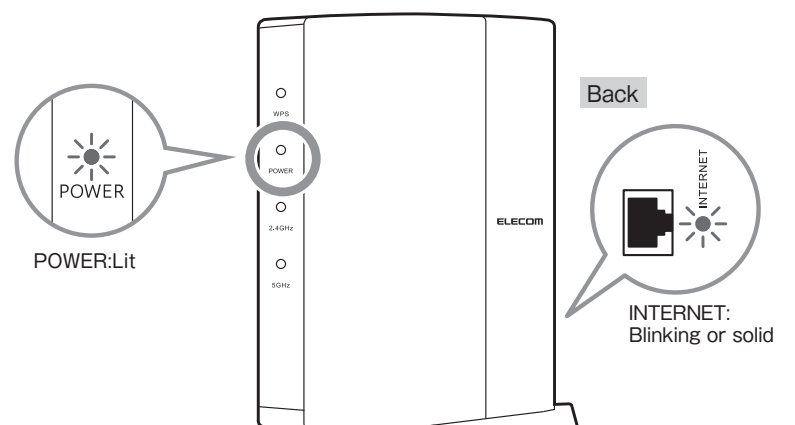
- Connect the power cable of the terminal device.
 - If a power switch is present, slide the switch to the on position.

2 Connect the included AC adapter to this product.



3 Check the lit status of the lamps.

- Check that the lamps on the modem or similar device and this product are lit correctly.



Installation method and precautions

This product can be installed vertically or horizontally. With either orientation, be sure to stabilize the product by setting it into the included stand. Also, with either orientation, take measures to prevent the product from falling over and the cables from being pulled out. The product falling over or the cables being pulled out from the connectors while the product is in operation may lead to malfunctions or data loss.

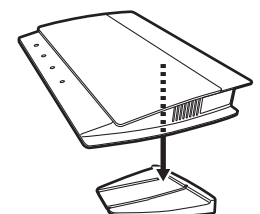
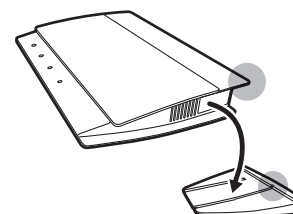
The stand is not fixed to the product. Connect the cables to the product, and then set the product into the stand.

◆ Vertical orientation

- Use the side with the LED lamps as the front.
- Refer to the illustration and set the product into the included stand so that the back of the product fits snugly in the grooves on the stand.

◆ Horizontal orientation

- Use the side with the LED lamps as the top.
- Place the product on the included stand so that the product is on top of the center, back part of the stand, and then ensure that the product is steady.



Configuring settings from smartphones and tablet PCs

Setting this product in router mode

This explanation uses an Android terminal.

Operating environment:

- Android OS 4.0 or later • iOS 8.0 or later
- Windows XP (SP3 or later)/Vista (SP2 or later)/7 (SP1 or later)/8/8.1/10/RT
- This product only supports Mac OS X 10.9 or later (only devices that are equipped with an Intel CPU).

- * We recommend that you turn the Bluetooth function off in order to prevent radio wave interference.
- * In order to install [SkyLink Manager], you require an environment in which you can connect to the Internet.
- * Perform SkyLink setup within 10 minutes of connecting the AC adapter.
- * The screens may vary depending on the application version.

Establishing a connection using simple setup

"Simple Setup" is a method that even inexperienced users can use to configure the settings just by tapping buttons in the application.

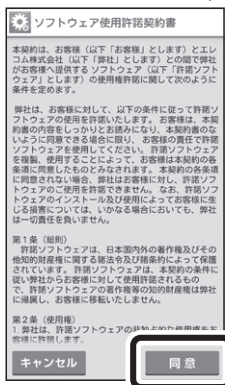
* The movies will not be displayed on smartphones that are not receiving radio waves or if you have not yet signed a contract with your smartphone's service provider.

1 Search for [SkyLink Manager] in the "Google Play store," and then install this application.

2 On your terminal's home screen, tap the [SkyLink Manager] icon.



3 Read the end-user license agreement, and then tap "同意" if you have no problems with the agreement.



4 The change announcement screen contents are checked, tap "次へ."



5 Tap "スカイリンクセットアップ" on the menu.



6 The application searches for the SSID for use in configuring the settings. Wait until the detection is finished.

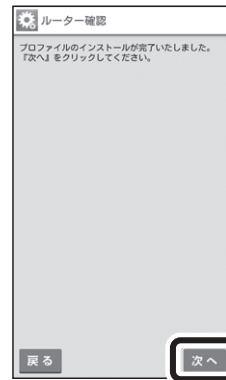
*It may take approximately 3 minutes to search for the SSID.

*A model number differing from that of this product may be displayed.

*If the SSID is not detected, the screen on the right will be displayed. Press the WPS button for approximately 5 seconds. The application will detect the router and retrieve the connection profile. The profile will be installed automatically after it is retrieved.



7 After the profile installation is finished, tap "次へ."



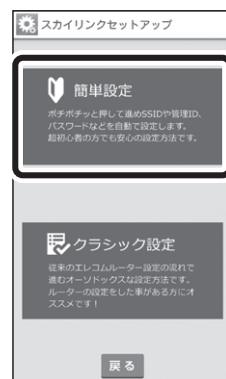
If the message "インターネットが検出されませんでした" is displayed, tap "手動設定" to configure the settings.

8 Tap "ルーターモード."



9 Tap "簡単設定."

*If you do "詳細設定", tap "クラシック設定".



10 The router restarts in order to apply the settings. After the settings are saved on the router, tap "次へ."

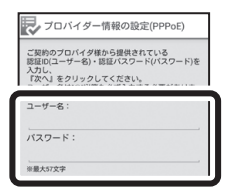


Only PPPoE is displayed.

The screen on the right will be displayed. Enter the user name and password that you have received from your provider, and then tap "次へ"

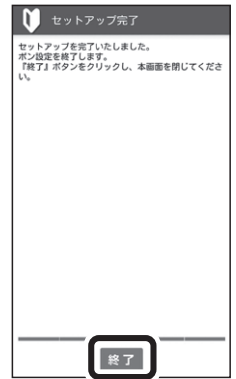
* You can enter numbers, alphabet characters, " " (underscore), "-" (hyphen), "@" (at sign), ";" (semicolon), ":" (colon), "*" (asterisk), "#" (number sign), "%" (percent sign), and "/" (slash) for the user name and password in the provider information.

* If you are using a DHCP connection, tap "次へ" without entering the user name and password.

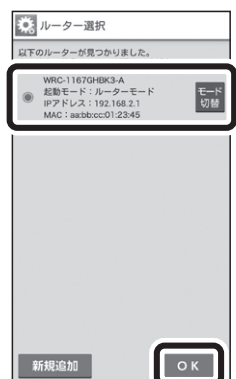


If you cannot save the settings, tap "Troubleshooting." Alternatively, search for "ELECOM Support" in your web browser or call the ELECOM network support center.

11 This completes the setup procedure. Tap "終了"



12 Select the name of a device that has been set, and then tap "OK."



13 Open a web browser.

If you can connect to the Internet, the settings are complete.



*When changing the setting of a router, then it's established "クラシック設定" at a set end, please confirm the user name and the password more.

*When not understanding setting any more, please redo setting from the beginning after a reset.